

**CMOD6263**  
**SURFACE MOUNT**  
**ULTRAmi™**  
**HIGH VOLTAGE**  
**SILICON SCHOTTKY DIODE**

**ULTRAmi™**



**SOD-523 CASE**

**Central™**  
**Semiconductor Corp.**

**FEATURES:**

- HIGH VOLTAGE (70V)
- ULTRAmi™ PACKAGE
- LOW FORWARD VOLTAGE

**DESCRIPTION:**

The CENTRAL SEMICONDUCTOR CMOD6263 is a High Voltage Silicon Schottky diode in an epoxy-molded ULTRAmi™ package, designed for surface mount fast switching applications requiring a low forward voltage drop.

**MARKING CODE: 63**

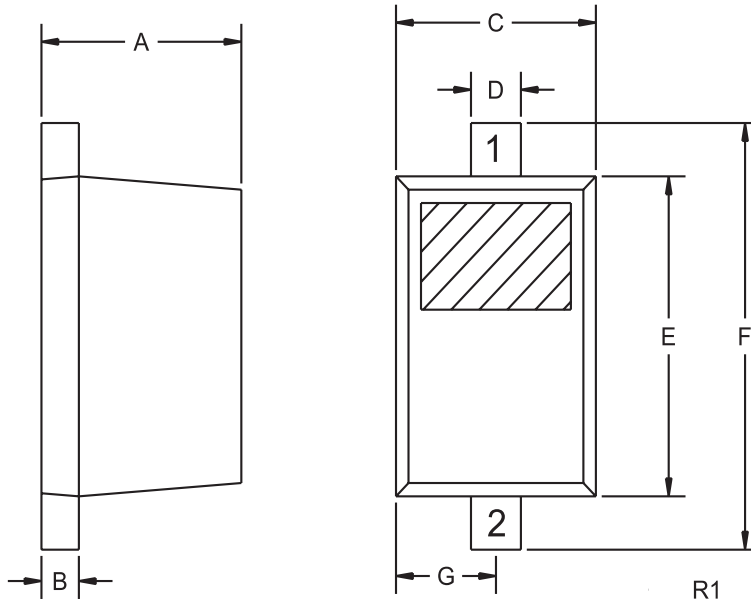
**MAXIMUM RATINGS:** ( $T_A=25^\circ\text{C}$ )

|                                    | <b>SYMBOL</b>  |             | <b>UNITS</b>       |
|------------------------------------|----------------|-------------|--------------------|
| Peak Repetitive Reverse Voltage    | $V_{RRM}$      | 70          | V                  |
| Continuous Forward Current         | $I_F$          | 15          | mA                 |
| Forward Surge Current, $t_p=1.0$ s | $I_{FSM}$      | 50          | mA                 |
| Power Dissipation                  | $P_D$          | 250         | mW                 |
| Operating and Storage              |                |             |                    |
| Junction Temperature               | $T_J, T_{stg}$ | -65 to +150 | $^\circ\text{C}$   |
| Thermal Resistance                 | $\Theta_{JA}$  | 500         | $^\circ\text{C/W}$ |

**ELECTRICAL CHARACTERISTICS:** ( $T_A=25^\circ\text{C}$ )

| <b>SYMBOL</b> | <b>TEST CONDITIONS</b>                                  | <b>MIN</b> | <b>TYP</b> | <b>MAX</b> | <b>UNITS</b> |
|---------------|---|------------|------------|------------|--------------|
| $I_R$         | $V_R=50\text{V}$  |            | 98         | 200        | nA           |
| $B_{VR}$      | $I_R=10\mu\text{A}$                                     | 70         |            |            | V            |
| $V_F$         | $I_F=1.0\text{mA}$                                      |            | 395        | 410        | mV           |
| $C_T$         | $V_R=0\text{V}, f=1.0\text{MHz}$                        |            |            | 2.0        | pF           |
| $t_{rr}$      | $I_R=I_F=10\text{mA}, I_{rr}=1\text{mA}, R_L=100\Omega$ |            |            | 5.0        | ns           |

SOD-523 CASE - MECHANICAL OUTLINE



**LEAD CODE:**

- 1) CATHODE
- 2) ANODE

**MARKING CODE: 63**

| SYMBOL | DIMENSIONS |       |             |      |
|--------|------------|-------|-------------|------|
|        | INCHES     |       | MILLIMETERS |      |
|        | MIN        | MAX   | MIN         | MAX  |
| A      | 0.020      | 0.031 | 0.50        | 0.80 |
| B      | 0.004      | 0.008 | 0.10        | 0.20 |
| C      | 0.028      | 0.035 | 0.70        | 0.90 |
| D      | 0.008      | 0.011 | 0.20        | 0.28 |
| E      | 0.039      | 0.055 | 1.00        | 1.40 |
| F      | 0.055      | 0.071 | 1.40        | 1.80 |
| G      | 0.016      |       | 0.40        |      |

SOD-523 (REV: R1)

R1 (13-November 2002)