

CMR2-02
 CMR2-04
 CMR2-06
 CMR2-10

**GENERAL PURPOSE RECTIFIER
 2.0 AMP, 200 THRU 1,000 VOLTS**



SMB CASE

Central™

Semiconductor Corp.

FEATURES:

- LOW COST
- SPECIAL SELECTIONS AVAILABLE
- HIGH RELIABILITY
- SUPERIOR LOT TO LOT CONSISTENCY
- GLASS PASSIVATED CHIP
- "C" BEND CONSTRUCTION PROVIDES STRAIN RELIEF WHEN MOUNTED ON PC BOARD

DESCRIPTION:

The CENTRAL SEMICONDUCTOR 2.0 Amp Surface Mount Silicon Rectifier is a high quality, well constructed, highly reliable component designed for use in all types of commercial, industrial, entertainment, computer, and automotive applications. To order devices on 12mm Tape and Reel (3000/13" Reel), add TR13 suffix to part number.

MARKING CODES: SEE MARKING CODE TABLE ON FOLLOWING PAGE

MAXIMUM RATINGS: ($T_A=25^\circ\text{C}$ unless otherwise noted)

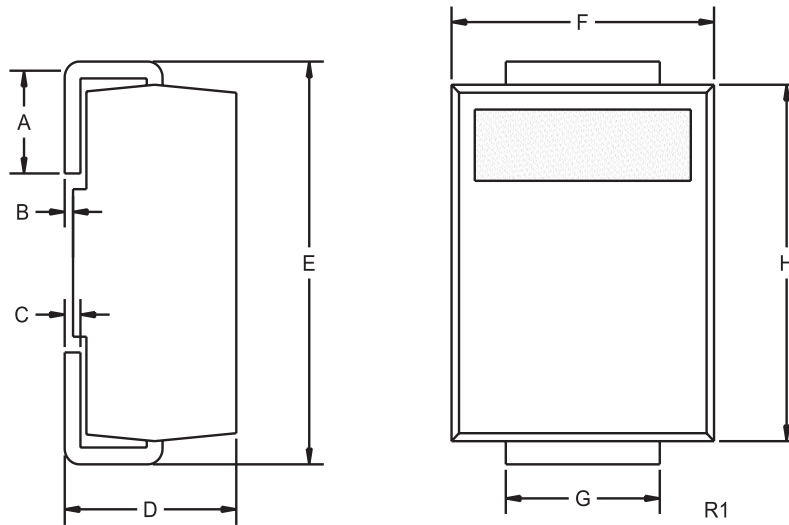
	SYMBOL	CMR2-02	CMR2-04	CMR2-06	CMR2-10	UNITS
Peak Repetitive Reverse Voltage	V_{RRM}	200	400	600	1000	V
DC Blocking Voltage	V_R	200	400	600	1000	V
RMS Reverse Voltage	$V_{R(RMS)}$	140	280	420	700	V
Average Forward Current ($T_A=50^\circ\text{C}$)	I_O			2.0		A
Peak Forward Surge Current (8.3ms)	I_{FSM}			60		A
Operating and Storage						
Junction Temperature	T_J, T_{stg}		-65 to +150			$^\circ\text{C}$
Thermal Resistance	θ_{JL}		20			$^\circ\text{C/W}$

ELECTRICAL CHARACTERISTICS: ($T_A=25^\circ\text{C}$ unless otherwise noted)

SYMBOL	TEST CONDITIONS	MIN	TYP	MAX	UNITS
I_R	$V_R=Rated$ V_{RRM}			5.0	μA
I_R	$V_R=Rated$ V_{RRM} , $T_A=125^\circ\text{C}$			125	μA
V_F	$I_F=2.0\text{A}$			1.1	V
t_{rr}	$I_F=0.5\text{A}$, $I_R=1.0\text{A}$, Recover to 0.25A			2.5	μs
C_J	$V_R=4.0\text{V}$, $f=1.0\text{MHz}$		30		pF

**GENERAL PURPOSE RECTIFIER
2.0 AMP, 200 THRU 1,000 VOLTS**

SMB CASE - MECHANICAL OUTLINE



DEVICE	MARKING CODE
CMR2-02	C202
CMR2-04	C204
CMR2-06	C206
CMR2-10	C210

SYMBOL	INCHES		MILLIMETERS	
	MIN	MAX	MIN	MAX
A	0.030	0.060	0.76	1.52
B	0.004	0.008	0.10	0.20
C	0.006	0.012	0.15	0.30
D	0.086	0.096	2.18	2.44
E	0.200	0.220	5.08	5.59
F	0.130	0.150	3.30	3.81
G	0.077	0.083	1.96	2.11
H	0.160	0.180	4.06	4.57

SMB (REV: R1)