

**Schottky Barrier Rectifier**

**MBR10150CT**

**FEATURES**

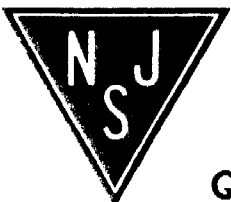
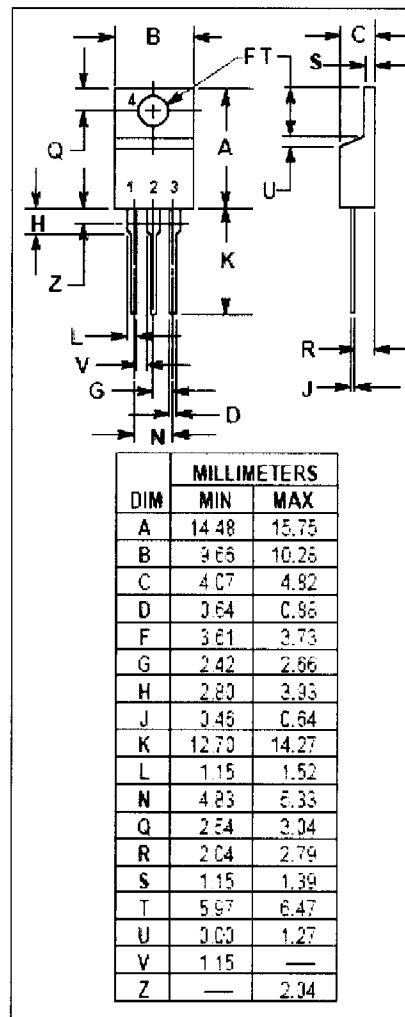
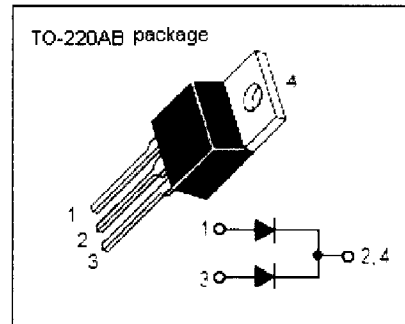
- Low Forward Voltage
- 150°C Operating Junction Temperature
- Guaranteed Reverse Avalanche
- Low Power Loss/High Efficiency
- High Surge Capacity
- Low Stored Charge Majority Carrier Conduction

**MECHANICAL CHARACTERISTICS**

- Case: Epoxy, Molded
- Finish: All External Surfaces Corrosion Resistant and Terminal Leads are Readily Solderable
- Lead Temperature for Soldering Purposes: 260°C Max. for 10 Seconds

**ABSOLUTE MAXIMUM RATINGS(T<sub>a</sub>=25°C)**

SYMBOL	PARAMETER	VALUE	UNIT
V <sub>RRM</sub>	Peak Repetitive Reverse Voltage	150	V
V <sub>RWM</sub>	RMS Voltage	105	
V <sub>R</sub>	DC Blocking Voltage	150	
I <sub>F(AV)</sub>	Average Rectified Forward Current (Rated V <sub>R</sub> ) T <sub>C</sub> = 155°C	10	A
I <sub>FSM</sub>	8.3ms half sine	120	A
T <sub>stg</sub>	Storage Temperature Range	-50~150	°C



NJ Semi-Conductors reserves the right to change test conditions, parameter limits and package dimensions without notice. Information furnished by NJ Semi-Conductors is believed to be both accurate and reliable at the time of going to press. However, NJ Semi-Conductors assumes no responsibility for any errors or omissions discovered in its use. NJ Semi-Conductors encourages customers to verify that datasheets are current before placing orders.

**Schottky Barrier Rectifier****MBR10150CT****THERMAL CHARACTERISTICS**

SYMBOL	PARAMETER	MAX	UNIT
$R_{thj-c}$	Thermal Resistance, Junction to Case	2.4	$^{\circ}C/W$

**ELECTRICAL CHARACTERISTICS** (Pulse Test: Pulse Width=380  $\mu$  s, Duty Cycle  $\leq$  2%)

SYMBOL	PARAMETER	CONDITIONS	MAX	UNIT
$V_F$	Maximum Instantaneous Forward Voltage	$I_F = 5A ; T_C = 125^{\circ}C$ $I_F = 5A ; T_C = 25^{\circ}C$	0.75 0.92	V
$I_R$	Maximum Instantaneous Reverse Current	Rated DC Voltage, $T_C = 125^{\circ}C$ Rated DC Voltage, $T_C = 25^{\circ}C$	7.0 0.05	mA