



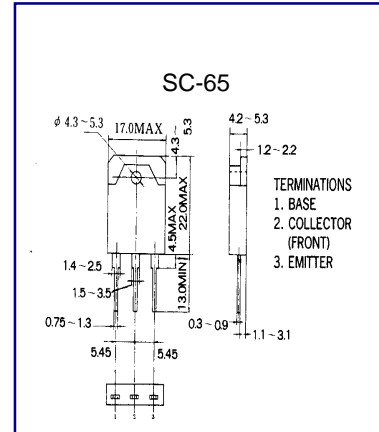
**2SD1277**

**NPN SILICON DARLINGTON TRANSISTOR**

**SWITCHING REGULATORS PWM INVERTERS  
SOLENOID AND RELAY DRIVERS**

**ABSOLUTE MAXIMUM RATINGS (T<sub>A</sub>=25°C)**

Characteristic	Symbol	Rating	Unit
Collector-Base Voltage	V <sub>CB0</sub>	60	V
Collector-Emitter Voltage	V <sub>CEO</sub>	60	V
Collector Current (DC)	I <sub>C</sub>	8	A
Collector Dissipation (T <sub>c</sub> =25°C)	P <sub>C</sub>	45	W
Junction Temperature	T <sub>j</sub>	150	°C
Storage Temperature	T <sub>stg</sub>	-50~150	°C



**ELECTRICAL CHARACTERISTICS (T<sub>A</sub>=25°C)**

Characteristic	Symbol	Test Condition	Min	Typ	Max	Unit
Collector Cutoff Current	I <sub>CBO</sub>	V <sub>CB</sub> = 60V , I <sub>E</sub> =0			10	μA
Collector Cutoff Current	I <sub>CEO</sub>	V <sub>CB</sub> = 60V , I <sub>B</sub> =0			10	μA
DC Current Gain	h <sub>FE</sub>	V <sub>CE</sub> = 5V , I <sub>C</sub> =0.5A	1000		10000	
Collector- Emitter Saturation Voltage	V <sub>CE(sat)</sub>	I <sub>C</sub> =0.5A , I <sub>B</sub> =0.001A			1.5	V