

FASTSWITCH EASY-TO-DRIVE (ETD) NPN TRANSISTORS

PRELIMINARY DATA

- HIGH SWITCHING SPEED NPN POWER TRANSISTORS
- EASY TO DRIVE
- HIGH VOLTAGE FOR OFF-LINE APPLICATIONS
- 100KHz SWITCHING SPEED
- LOW COST DRIVE CIRCUITS
- LOW DYNAMIC SATURATION

APPLICATIONS

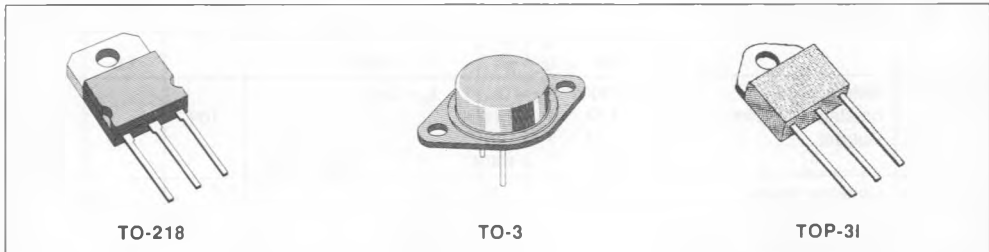
- SMPS
- MOTOR DRIVES

DESCRIPTION

These Easy-to-Drive FASTSWITCH NPN power transistors are specially designed for high reliability

industrial and professional power driving applications such as motor drives and off-line switching power supplies. ETD transistors will operate using easy drive circuits at up to 100KHz ; this helps to simplify designs and improve reliability. The superior switching performance and low crossover losses reduce dissipation and consequently lower the equipment operating temperature. These ETD transistors are suitable for application in high power, high reliability, motor drives and half bridge and full bridge converters.

These Easy-To-Drive FASTSWITCH transistors are available in TO-218 and TO-3 packages. Additionally, the alumina isolated version is available in the TOP-3I package.



ABSOLUTE MAXIMUM RATINGS

Symbol	Parameter	TO-218 TOP-3I TO-3	Value			Unit
			BUF420 BUF420I BUF420M	TO-218	BUF420A BUF420AI BUF420AM	
V_{CEV}	Collector-emitter Voltage ($V_{BE} = -1.5V$)		850		1000	V
V_{CEO}	Collector-emitter Voltage ($I_B = 0$)			450		V
V_{EBO}	Emitter-base Voltage ($I_C = 0$)			7		V
I_C	Collector Current			30		A
I_{CM}	Collector Peak Current			60		A
I_B	Base Current			6		A
I_{BM}	Base Peak Current			9		A
			TO-3	TO-218	TOP-3I	
P_{tot}	Total Dissipation at $T_C < 25^\circ C$		200	200	115	W
T_{stg}	Storage Temperature		- 65 to 150			$^\circ C$
T_J	Max. Operating Junction Temperature		150			$^\circ C$

THERMAL DATA

			TO-3	TO-218	TOP-31	
$R_{thj\ case}$	Thermal Resistance Junction-case	Max	0.63	0.63	1.09	°C/W

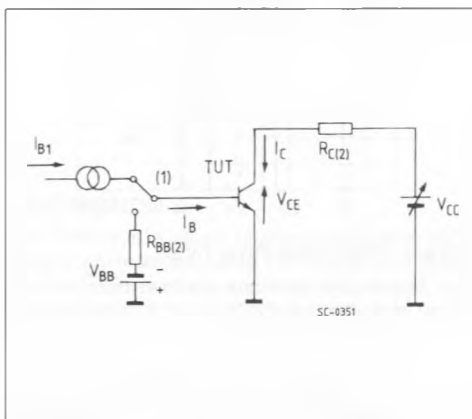
ELECTRICAL CHARACTERISTICS ($T_J = 25^\circ\text{C}$ unless otherwise specified)

Symbol	Parameter	Test Conditions	Min.	Typ.	Max.	Unit
I_{CEr}	Collector Cutoff Current ($R_{BE} = 5\Omega$)	$V_{CE} = V_{CEV}$			0.2	mA
		$V_{CE} = V_{CEV}$ $T_c = 100^\circ\text{C}$			1	mA
I_{CEV}	Collector Cutoff Current	$V_{CE} = V_{CEV}$ $V_{BE} = -1.5\text{V}$			0.2	mA
		$V_{CE} = V_{CEV}$ $V_{BE} = -1.5\text{V}$ $T_c = 100^\circ\text{C}$			1	mA
I_{EBO}	Emitter Cutoff Current ($I_C = 0$)	$V_{EB} = 5\text{V}$			1	mA
$V_{CEO(sus)}$ *	Collector Emitter Sustaining Voltage	$I_C = 0.2\text{A}$ $L = 25\text{mH}$	450			V
V_{EBO}	Emitter-base Voltage ($I_C = 0$)	$I_E = 50\text{mA}$	7			V
$V_{CE(sat)}$ *	Collector-emitter Saturation Voltage	$I_C = 10\text{A}$ $I_B = 1\text{A}$		0.8		V
		$I_C = 10\text{A}$ $I_B = 1\text{A}$ $T_c = 100^\circ\text{C}$			2.8	V
		$I_C = 20\text{A}$ $I_B = 4\text{A}$		0.5		V
		$I_C = 20\text{A}$ $I_B = 4\text{A}$ $T_c = 100^\circ\text{C}$			2	V
$V_{BE(sat)}$ *	Base-emitter Saturation Voltage	$I_C = 10\text{A}$ $I_B = 1\text{A}$		0.9		V
		$I_C = 10\text{A}$ $I_B = 1\text{A}$ $T_c = 100^\circ\text{C}$			1.5	V
		$I_C = 20\text{A}$ $I_B = 4\text{A}$		1.1		V
		$I_C = 20\text{A}$ $I_B = 4\text{A}$ $T_c = 100^\circ\text{C}$			1.5	V
di_c/dt	Rate of Rise of on-state Collector Current	$V_{CC} = 300\text{V}$ $R_C = 0$ $t_p = 3\mu\text{s}$ $I_{B1} = 1.5\text{A}$ $T_J = 25^\circ\text{C}$ $I_{B1} = 1.5\text{A}$ $T_J = 100^\circ\text{C}$ $I_{B1} = 6\text{A}$ $T_J = 100^\circ\text{C}$	70 150	100		A/ μs A/ μs A/ μs
$V_{CE(3\mu\text{s})}$	Collector-emitter Dynamic Voltage	$V_{CC} = 300\text{V}$ $R_C = 30\Omega$ $I_{B1} = 1.5\text{A}$ $T_J = 25^\circ\text{C}$ $T_J = 100^\circ\text{C}$		2.1	8	V V
$V_{CE(5\mu\text{s})}$	Collector-emitter Dynamic Voltage	$V_{CC} = 300\text{V}$ $R_C = 30\Omega$ $I_{B1} = 1.5\text{A}$ $T_J = 25^\circ\text{C}$ $T_J = 100^\circ\text{C}$		1.1	4	V V
t_s	Storage Time	$I_C = 10\text{A}$ $V_{CC} = 50\text{V}$ $V_{BB} = -5\text{V}$ $R_{BB} = 0.6\Omega$ $V_{clamp} = 400\text{V}$ $I_{B1} = 1\text{A}$ $L = 0.25\text{mH}$		1		μs
t_f	Fall Time			0.05		μs
t_c	Cross Over Time			0.08		μs
t_s	Storage Time	$I_C = 10\text{A}$ $V_{CC} = 50\text{V}$ $V_{BB} = -5\text{V}$ $R_{BB} = 0.6\Omega$ $V_{clamp} = 400\text{V}$ $I_{B1} = 1\text{A}$ $L = 0.25\text{mH}$ $T_J = 100^\circ\text{C}$			2	μs
t_f	Fall Time				0.1	μs
t_c	Cross Over Time				0.18	μs
V_{CEW}	Maximum Collector Emitter Voltage without Snubber	$I_C = 10\text{A}$ $V_{CC} = 50\text{V}$ $V_{BB} = -5\text{V}$ $R_{BB} = 0.6\Omega$ $V_{clamp} = 400\text{V}$ $I_{B1} = 1\text{A}$ $L = 0.25\text{mH}$ $T_J = 125^\circ\text{C}$	500			V
t_s	Storage Time	$I_C = 10\text{A}$ $V_{CC} = 50\text{V}$ $V_{BB} = 0$ $R_{BB} = 0.15\Omega$ $V_{clamp} = 400\text{V}$ $I_{B1} = 1\text{A}$ $L = 0.25\text{mH}$		1.5		μs
t_f	Fall Time				0.04	μs
t_c	Cross Over Time				0.07	μs

ELECTRICAL CHARACTERISTICS (continued)

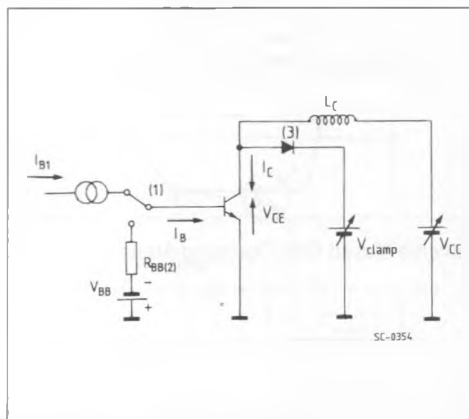
Symbol	Parameter	Test Conditions		Min.	Typ.	Max.	Unit
t_s	Storage Time	$I_C = 10A$	$V_{CC} = 50V$			3	μs
t_f	Fall Time	$V_{BB} = 0$	$R_{BB} = 0.15\Omega$			0.15	μs
t_c	Cross Over Time	$V_{clamp} = 400V$	$I_{B1} = 1A$			0.25	μs
		$L = 0.25mH$	$T_j = 100^\circ C$				
V_{CEW}	Maximum Collector Emitter Voltage without Snubber	$I_C = 10A$	$V_{CC} = 50V$	500			V
		$V_{BB} = 0$	$R_{BB} = 0.15\Omega$				
		$V_{clamp} = 400V$	$I_{B1} = 1A$				
		$L = 0.25mH$	$T_j = 125^\circ C$				
t_s	Storage Time	$I_C = 20A$	$V_{CC} = 50V$		2.2		μs
t_f	Fall Time	$V_{BB} = -5V$	$R_{BB} = 0.6\Omega$		0.06		μs
t_c	Cross Over Time	$V_{clamp} = 400V$	$I_{B1} = 4A$		0.12		μs
		$L = 0.12mH$					
t_s	Storage Time	$I_C = 20A$	$V_{CC} = 50V$			3.5	μs
t_f	Fall Time	$V_{BB} = -5V$	$R_{BB} = 0.6\Omega$			0.12	μs
t_c	Cross Over Time	$V_{clamp} = 400V$	$I_{B1} = 4A$			0.3	μs
		$L = 0.12mH$	$T_j = 125^\circ C$				
V_{CEW}	Maximum Collector Emitter Voltage without Snubber	$I_{C\text{Woff}} = 30A$	$V_{CC} = 50V$	400			V
		$V_{BB} = -5V$	$R_{BB} = 0.6\Omega$				
		$L = 0.08mH$					
		$T_j = 125^\circ C$					

Turn-on Switching Test Circuit.



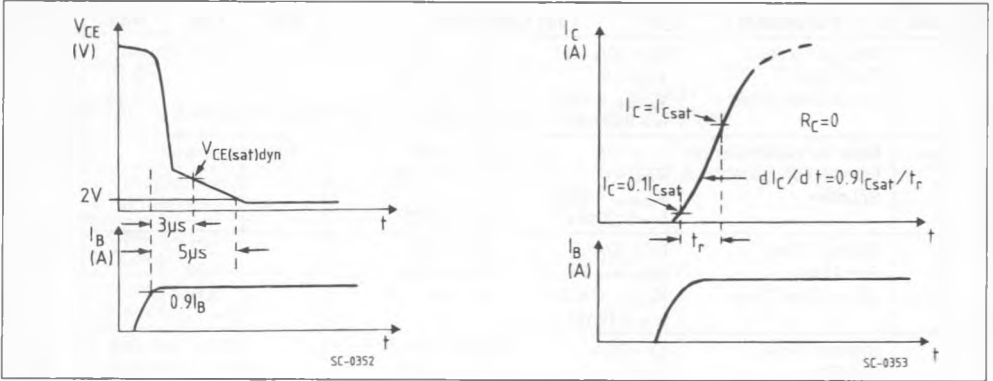
- (1) Fast electronic switch
- (2) Non-inductive Resistor

Turn-off Switching Test Circuit.

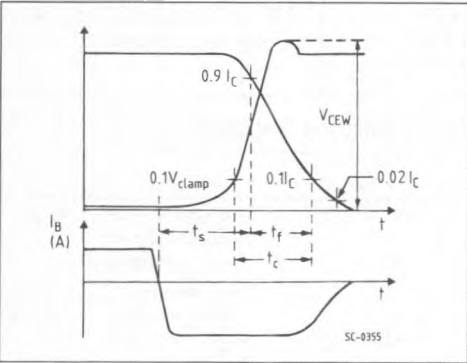


- (1) Fast electronic switch
- (2) Non-inductive Resistor
- (3) Fast recovery rectifier

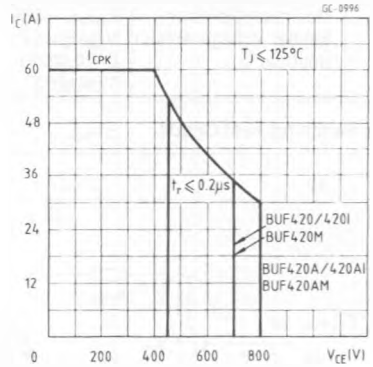
Turn-on Switching Test Waveforms.



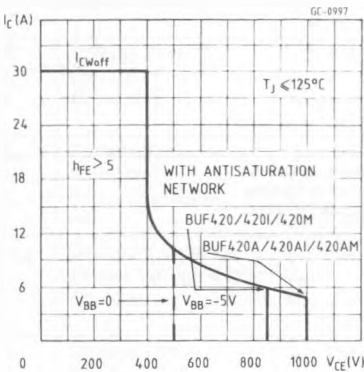
Turn-off Switching Waveforms (inductive load).



Forward Biased Safe Operating Areas.



Reverse Biased Safe Operating Areas.



Storage Time Versus Pulse Time.

