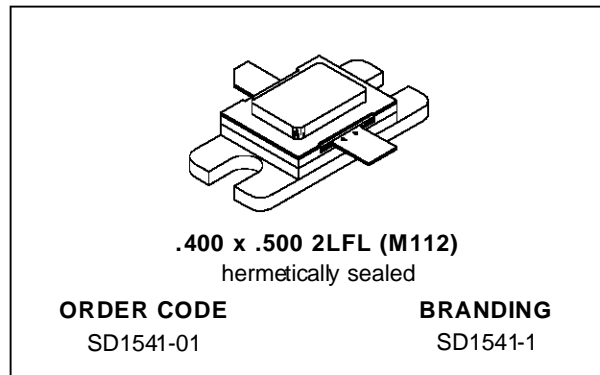
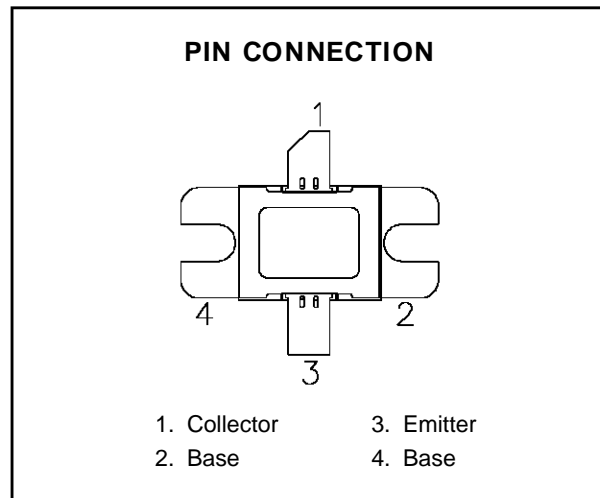


**RF & MICROWAVE TRANSISTORS
AVIONICS APPLICATIONS**

- DESIGNED FOR HIGH POWER PULSED IFF AND DME APPLICATIONS
- 400 (min.) DME 1025 - 1150 MHz
- 6.5 dB MIN. GAIN
- REFRACTORY GOLD METALLIZATION
- EMITTER BALLASTING AND LOW THERMAL RESISTANCE FOR RELIABILITY AND RUGGEDNESS
- 30:1 LOAD VSWR CAPABILITY AT SPECIFIED OPERATING CONDITIONS
- INPUT/OUTPUT MATCHED, COMMON BASE CONFIGURATION


DESCRIPTION

The SD1541-01 is a hermetically sealed, gold metallized, silicon NPN power transistor. The SD1541-01 is designed for applications requiring high peak power and low duty cycles such as DME. The SD1541-01 is packaged in a hermetic metal/ceramic package with internal input/output matching, resulting in improved broadband performance and a low thermal resistance.


ABSOLUTE MAXIMUM RATINGS ($T_{case} = 25^{\circ}C$)

Symbol	Parameter	Value	Unit
V_{CBO}	Collector-Base Voltage	65	V
V_{CES}	Collector-Emitter Voltage	65	V
V_{EBO}	Emitter-Base Voltage	3.5	V
I_C	Device Current	22	A
P_{DISS}	Power Dissipation	1458	W
T_J	Junction Temperature	+200	$^{\circ}C$
T_{STG}	Storage Temperature	- 65 to +150	$^{\circ}C$

THERMAL DATA

$R_{TH(j-c)}$	Junction-Case Thermal Resistance	0.12	$^{\circ}C/W$
---------------	----------------------------------	------	---------------

SD1541-01

ELECTRICAL SPECIFICATIONS (T_{case} = 25°C)

STATIC

Symbol	Test Conditions		Value			Unit
			Min.	Typ.	Max.	
BV _{CBO}	I _C = 25mA	I _E = 0mA	65	—	—	V
BV _{CES}	I _C = 50mA	V _{BE} = 0V	65	—	—	V
BV _{EBO}	I _E = 10mA	I _C = 0mA	3.5	—	—	V
I _{CES}	V _{CE} = 50V	I _E = 0mA	—	—	25	mA
h _{FE}	V _{CE} = 5V	I _C = .25A	5	—	200	—

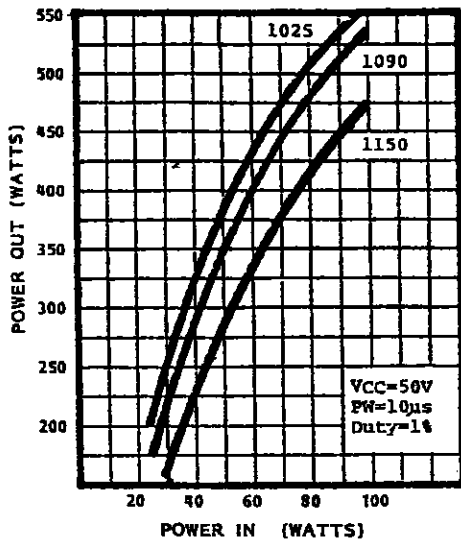
DYNAMIC

Symbol	Test Conditions		Value			Unit
			Min.	Typ.	Max.	
P _{OUT}	f = 1025 — 1150MHz	P _{IN} = 90 W V _{CE} = 50 V	400	—	—	W
G _P	f = 1025 — 1150MHz	P _{IN} = 90 W V _{CE} = 50 V	6.5	—	—	dB

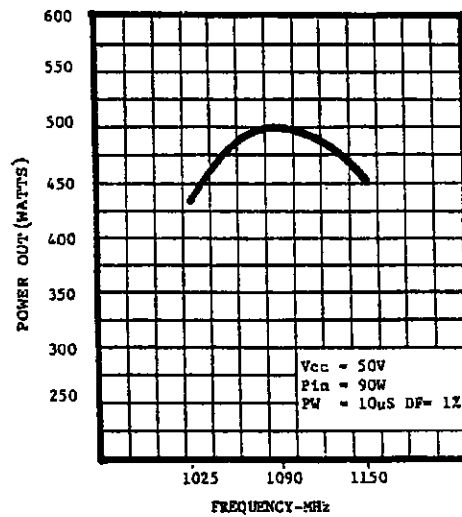
Note: Pulse Width = 10μSec, Duty Cycle = 1%
 This device is suitable for use under other pulse width/duty cycle conditions.
 Please contact the factory for specific applications assistance.

TYPICAL PERFORMANCE

POWER OUTPUT vs POWER INPUT



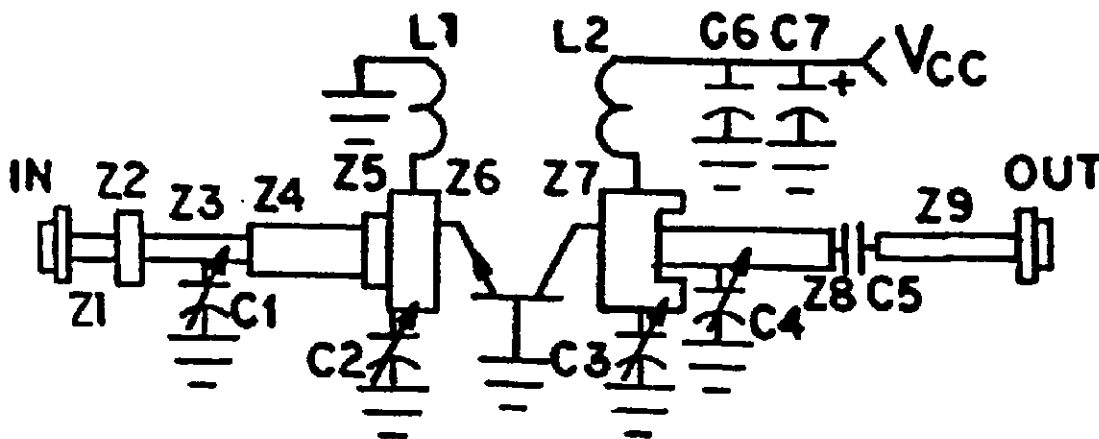
POWER OUTPUT vs FREQUENCY



IMPEDANCE DATA

FREQ.	Z _{IN} (Ω)	Z _{CL} (Ω)
1020 MHz	2.898 + j 4.1	1.382 - j 3.2
1090 MHz	2.325 + j 3.4	1.338 - j 2.8
1150 MHz	1.994 + j 2.8	1.269 - j 2.5

TEST CIRCUIT



All Dimensions in Inches Unless Otherwise specified

C1 : 0.4 - 2.5pF Johanson Gigatrim

C2, C3,

C4 : 0.6 - 4.5pF Johanson Gigatrim

C5 : 82pF Chip Capacitor, .055 Sq.

L1 : Loop, #18 Tinned, .36 Wide x .27 above Circuit

L2 : 4 3/4 Turns, #24 En., C.W., .075 I.D.

Z1 : 50Ω(.02 Wide)

Z2 : .250 x .120

Z3 : 50Ω .020 x .330; C1 tapped .15 from Load

Z4 : .145 x .920

Z5 : .325 x .180

Z6 : .730 x .315

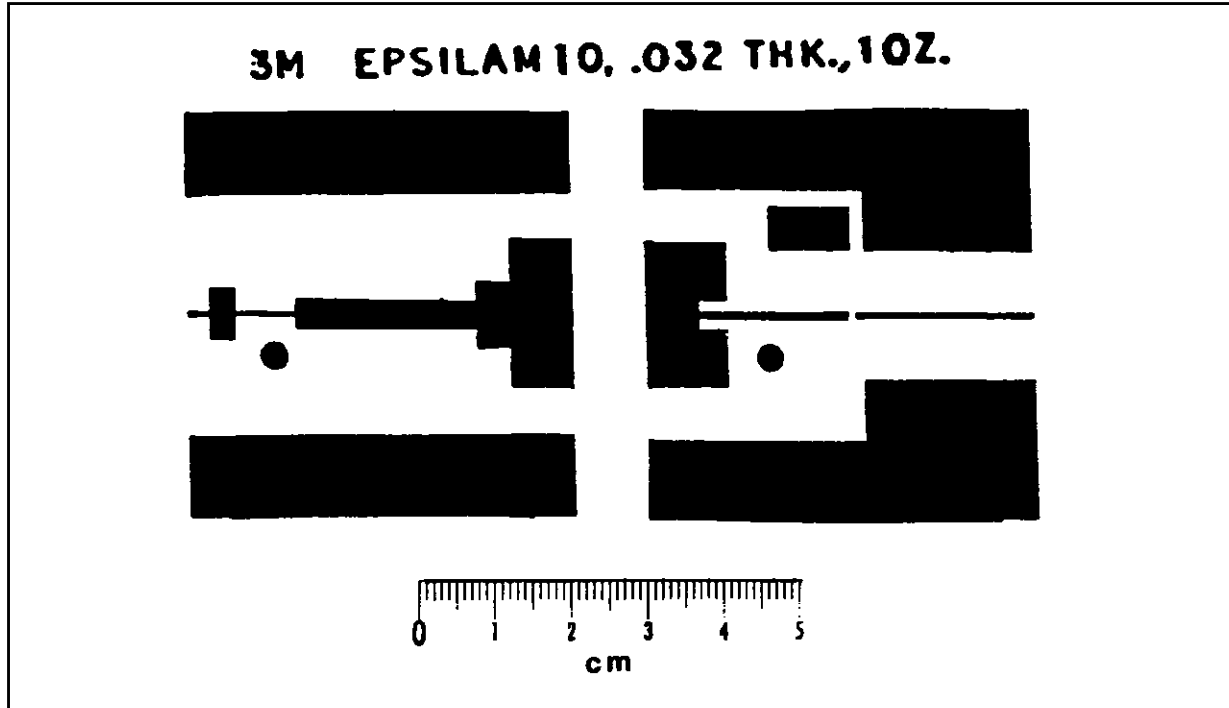
Z7 : .710 x .425 with .140 x .150 cutout

Z8 : .35 x .780; C4 Tapped .36 from Cen

Z9 : 50Ω

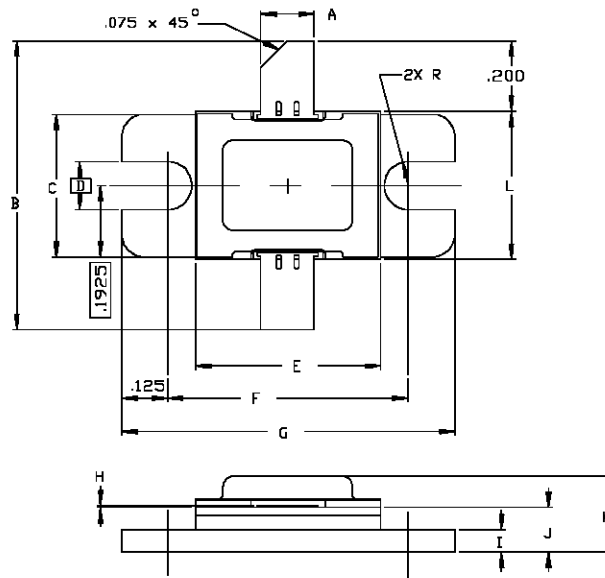
C1, C4 : Cold End Terminated Through Eyelet.

PC BOARD LAYOUT



PACKAGE MECHANICAL DATA

Ref.: Dwg. No.12-0112



SGS-THOMSON MICROELECTRONICS		
	MINIMUM Inches/mm	MAXIMUM Inches/mm
A	.145/3,68	.155/3,93
B	.750/19,05	
C	.380/9,65	.390/9,91
D	.130/3,30	
E	.495/12,57	.507/12,88
F	.640/16,26	.655/16,64
G	.890/22,61	.910/23,11
H	.002/0,05	.006/0,15
I	.055/1,40	.065/1,65
J	.115/2,92	.135/3,43
K		.230/5,84
L	.395/10,03	.407/10,34

Information furnished is believed to be accurate and reliable. However, SGS-THOMSON Microelectronics assumes no responsibility for the consequences of use of such information nor for any infringement of patents or other rights of third parties which may result from its use. No license is granted by implication or otherwise under any patent or patent rights of SGS-THOMSON Microelectronics. Specifications mentioned in this publication are subject to change without notice. This publication supersedes and replaces all information previously supplied. SGS-THOMSON Microelectronics products are not authorized for use as critical components in life support devices or systems without express written approval of SGS-THOMSON Microelectronics.

© 1994 SGS-THOMSON Microelectronics - All Rights Reserved

SGS-THOMSON Microelectronics GROUP OF COMPANIES
 Australia - Brazil - France - Germany - Hong Kong - Italy - Japan - Korea - Malaysia - Malta - Morocco - The Netherlands -
 Singapore - Spain - Sweden - Switzerland - Taiwan - Thailand - United Kingdom - U.S.A