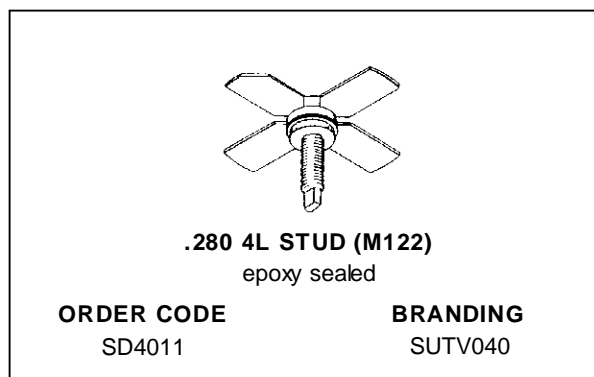


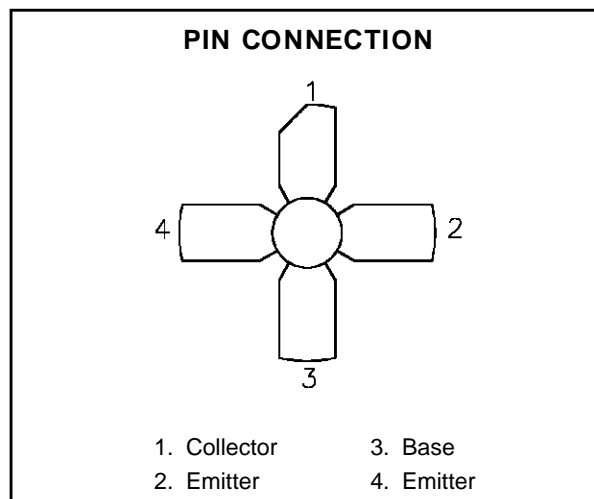
**RF & MICROWAVE TRANSISTORS  
UHF TV/LINEAR APPLICATIONS**

- GOLD METALLIZATION
- INTERNAL INPUT MATCHING
- COMMON EMITTER
- OVERLAY GEOMETRY
- CLASS A OPERATION
- METAL/CERAMIC PACKAGE
- $P_{OUT} = 4\text{ W MIN. WITH } 8\text{ dB GAIN}$


**DESCRIPTION**

The SD4011 is a gold metallized NPN silicon bipolar device optimized for Class A operation in TV Band IV/V.

Suitable for a variety of other UHF linear applications, SD4011 is supplied in an industry-standard .280 stud package.


**ABSOLUTE MAXIMUM RATINGS** ( $T_{case} = 25^{\circ}\text{C}$ )

Symbol	Parameter	Value	Unit
$V_{CBO}$	Collector-Base Voltage	65	V
$V_{CES}$	Collector-Emitter Voltage	65	V
$V_{EBO}$	Emitter-Base Voltage	3.5	V
$I_C$	Device Current	1.59	A
$P_{DISS}$	Power Dissipation	31.8	W
$T_J$	Junction Temperature	+200	$^{\circ}\text{C}$
$T_{STG}$	Storage Temperature	- 65 to +150	$^{\circ}\text{C}$

**THERMAL DATA**

$R_{TH(j-c)}$	Junction-Case Thermal Resistance	5.5	$^{\circ}\text{C/W}$
---------------	----------------------------------	-----	----------------------

# SD4011

## ELECTRICAL SPECIFICATIONS (T<sub>case</sub> = 25°C)

### STATIC

Symbol	Test Conditions		Value			Unit
			Min.	Typ.	Max.	
BV <sub>CBO</sub>	I <sub>C</sub> = 5mA	I <sub>E</sub> = 0mA	65	—	—	V
BV <sub>EBO</sub>	I <sub>E</sub> = 5mA	I <sub>C</sub> = 0mA	3.5	—	—	V
BV <sub>CES</sub>	I <sub>C</sub> = 10mA	V <sub>BE</sub> = 0V	65	—	—	V
BV <sub>CEO</sub>	I <sub>C</sub> = 5mA	I <sub>B</sub> = 0mA	20	—	—	V
I <sub>CBO</sub>	V <sub>CB</sub> = 40V	I <sub>E</sub> = 0mA	—	—	1.0	mA
h <sub>FE</sub>	V <sub>C</sub> = 5V	I <sub>C</sub> = 800mA	20	—	200	—

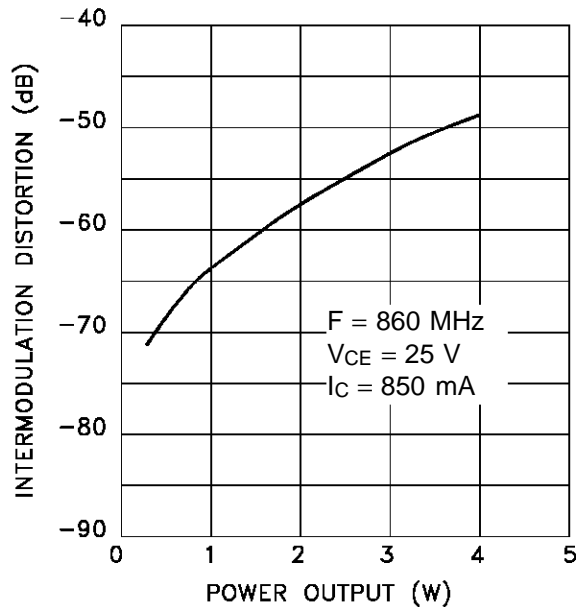
### DYNAMIC

Symbol	Test Conditions			Value			Unit
				Min.	Typ.	Max.	
P <sub>OUT</sub>	f = 860 MHz	V <sub>CE</sub> = 25 V	I <sub>C</sub> = 850 mA	4	—	—	W
G <sub>P</sub>	f = 860 MHz	V <sub>CE</sub> = 25 V	I <sub>C</sub> = 850 mA	8.0	—	—	dB
IMD <sub>3</sub>	f = 860 MHz	V <sub>CE</sub> = 25 V	I <sub>C</sub> = 850 mA	-60	—	—	dBc
C <sub>OB</sub>	f = 1 MHz	V <sub>CE</sub> = 25 V		—	13	20	pF

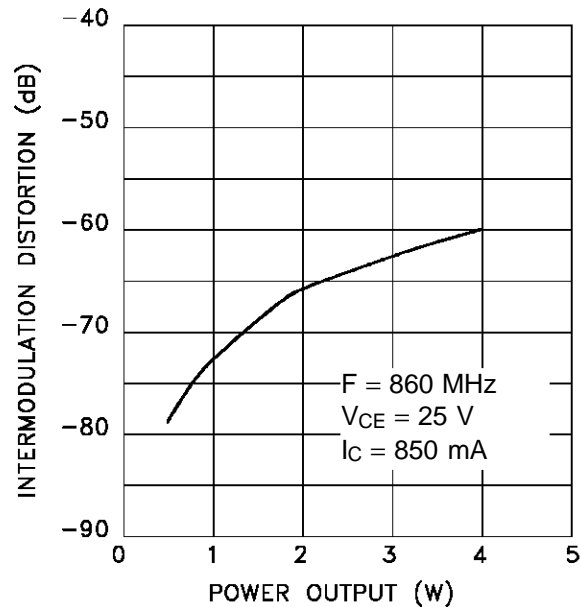
Note: P<sub>IN</sub> = 0.63

### TYPICAL PERFORMANCE

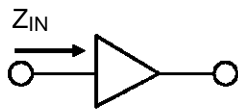
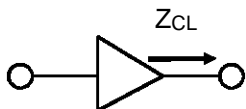
**INTERMODULATION DISTORTION vs POWER OUTPUT**



**INTERMODULATION DISTORTION (3 TONES) vs POWER OUTPUT**



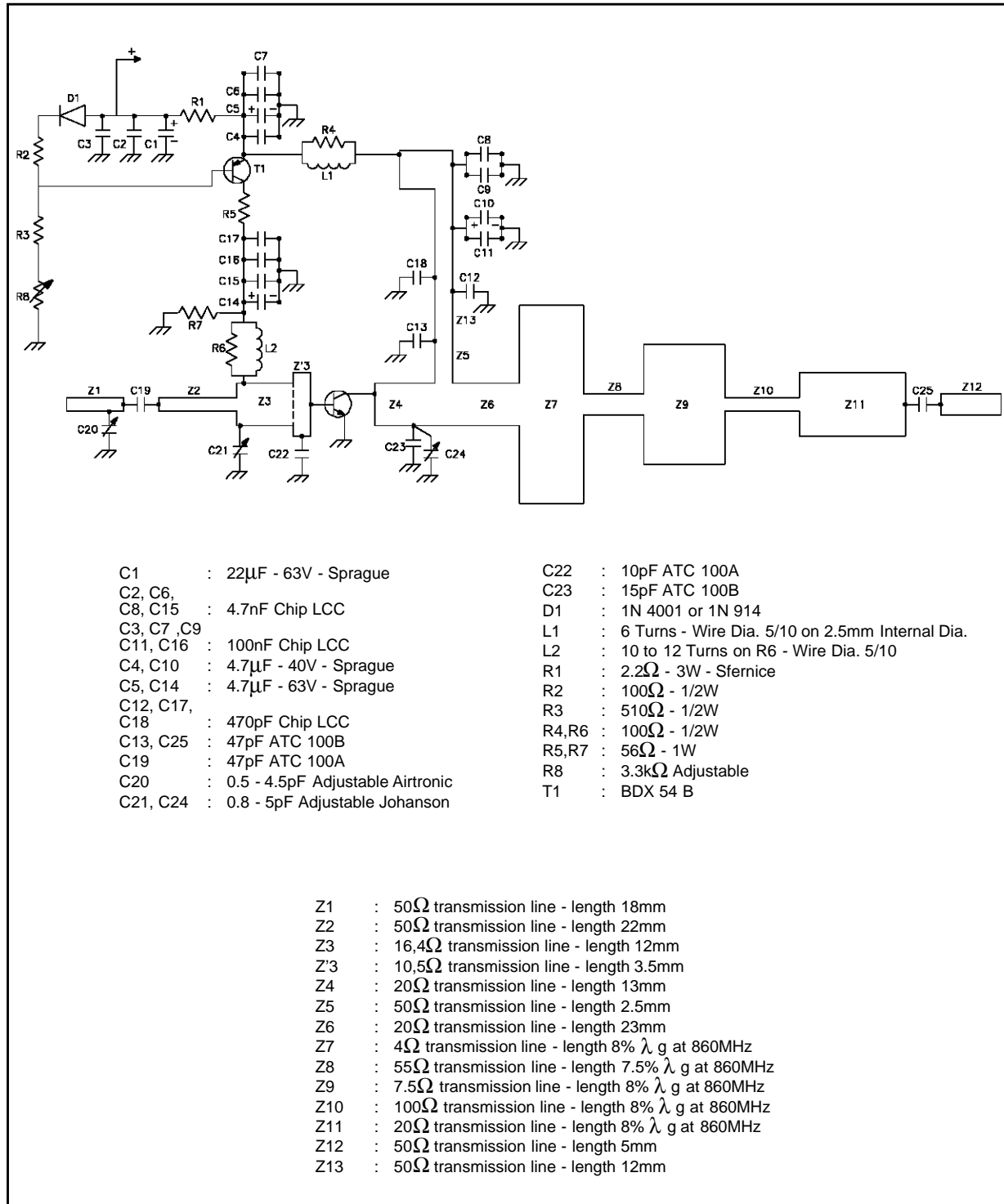
## IMPEDANCE DATA

TYPICAL INPUT  
IMPEDANCETYPICAL COLLECTOR  
LOAD IMPEDANCE

FREQ.	Z <sub>IN</sub> (Ω)	Z <sub>CL</sub> (Ω)
470 MHz	2.26 + j 1.67	11.30 + j 5.23
600 MHz	1.93 + j 1.96	10.65 + j 2.91
700 MHz	1.40 + j 2.38	8.41 + j 6.07
860 MHz	1.19 + j 3.45	5.63 + j 4.17

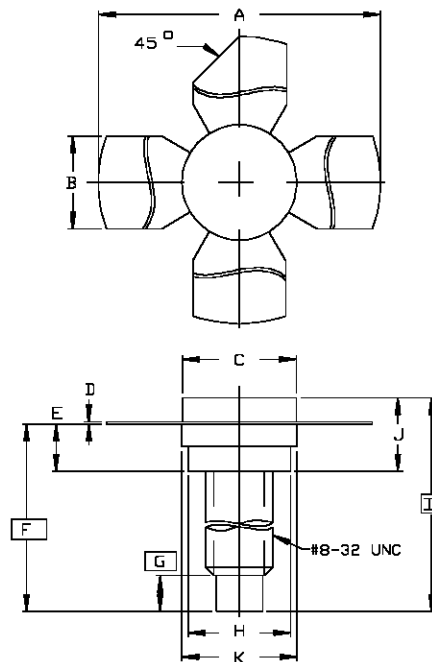
Normalized to 50 ohms

## TEST CIRCUIT



## PACKAGE MECHANICAL DATA

Ref.: Dwg. No. 12-0122



SGS-THOMSON MICROELECTRONICS		
	MINIMUM Inches/mm	MAXIMUM Inches/mm
A	1.010/25,65	1.055/26,80
B	.220/5,59	.230/5,84
C	.270/6,86	.285/7,24
D	.003/0,08	.007/0,18
E	.117/2,97	.137/3,48
F	.572/14,53	
G	.130/3,30	
H	.245/6,22	.255/6,48
I	.640/16,26	
J	.175/4,45	.217/5,51
K	.275/6,99	.285/7,24

Information furnished is believed to be accurate and reliable. However, SGS-THOMSON Microelectronics assumes no responsibility for the consequences of use of such information nor for any infringement of patents or other rights of third parties which may result from its use. No license is granted by implication or otherwise under any patent or patent rights of SGS-THOMSON Microelectronics. Specifications mentioned in this publication are subject to change without notice. This publication supersedes and replaces all information previously supplied. SGS-THOMSON Microelectronics products are not authorized for use as critical components in life support devices or systems without express written approval of SGS-THOMSON Microelectronics.

© 1994 SGS-THOMSON Microelectronics - All Rights Reserved

SGS-THOMSON Microelectronics GROUP OF COMPANIES  
 Australia - Brazil - France - Germany - Hong Kong - Italy - Japan - Korea - Malaysia - Malta - Morocco - The Netherlands -  
 Singapore - Spain - Sweden - Switzerland - Taiwan - Thailand - United Kingdom - U.S.A