

## SK 50 B, SK 70 B

$V_{RSM}$ $V_{RRM}$ V	$I_D (T_h = 80^\circ\text{C})$	
	51 A	68 A
800	<b>SK 50 B 08</b>	<b>SK 70 B 08</b>
1200	<b>SK 50 B 12</b>	<b>SK 70 B 12</b>
1600	<b>SK 50 B 16</b>	<b>SK 70 B 16</b>

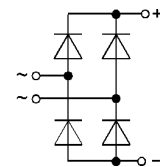
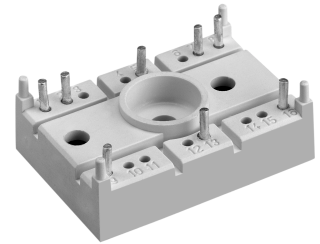
## SEMITOP® 2

### Bridge Rectifier

### SK 50 B SK 70 B

Symbol	Conditions	SK 50 B	SK 70 B	Units
$I_D$	$T_h = 80^\circ\text{C}$	30 <sup>2)</sup>	30 <sup>2)</sup>	A
$I_{FSM}$ $i^2t$	$T_{vj} = 25^\circ\text{C}; 10\text{ ms}$	370	700	A
	$T_{vj} = 150^\circ\text{C}; 10\text{ ms}$	270	560	A
	$T_{vj} = 25^\circ\text{C}; 8,3...10\text{ ms}$	685	2450	A <sup>2</sup> s
	$T_{vj} = 150^\circ\text{C}; 8,3...10\text{ ms}$	365	1370	A <sup>2</sup> s
$V_F$ $V_{(T0)}$	$T_{vj} = 25^\circ\text{C}; (I_T = \dots\text{ A}); \text{max.}$	1,25(25)	1,2(35)	V
	$T_{vj} = 150^\circ\text{C}$	0,8	0,8	V
$r_T$	$T_{vj} = 150^\circ\text{C}$	13	11	mΩ
$I_{RD}$	$T_{vj} = 25^\circ\text{C}; V_{RD} = V_{RRM}$	0,2	0,2	mA
	$T_{vj} = 150^\circ\text{C}; V_{RD} = V_{RRM}$	4	4	mA
$R_{thjh}^{1)}$	per diode	1,7	1,2	K/W
	per module	0,43	0,3	K/W
$T_{vj}$		- 40 ... + 150		°C
$T_{stg}$		- 40 ... + 125		°C
$T_{solder}$	terminals, 10 s	260		°C
$V_{isol}$	a.c. 50 Hz; r.m.s. 1 s/1 min	3000 / 2500		V
$M_1$	mounting torque	2,0		Nm
w		19		g
Case		T 6		

### Preliminary Data



### Features

- Compact Design
- One screw mounting
- Heat transfer and isolation through direct copper bonded aluminium oxide ceramic (DCB)
- Up to 1600V reverse voltage
- High surge currents
- Glass passivated diode chips
- UL recognized, file no. E 63 532

### Typical Applications

- Input rectifier for power supplies
- Rectifier

1) Thermal resistance junction to heatsink

2) Current limited by number of pins

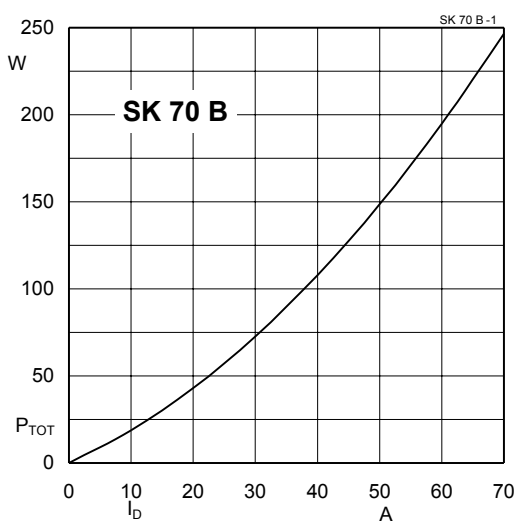
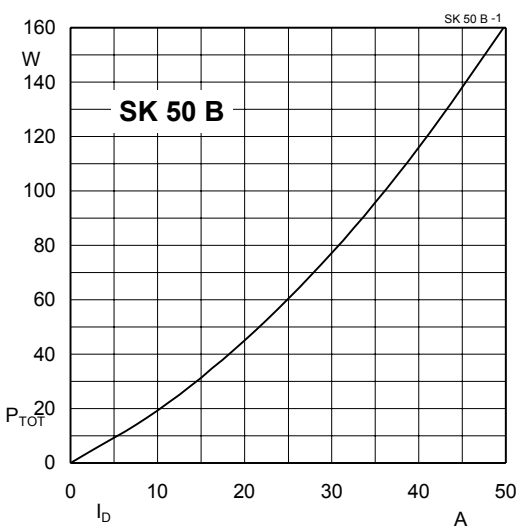


Fig. 1 Power dissipation vs. output current

Fig. 1 Power dissipation vs. output current

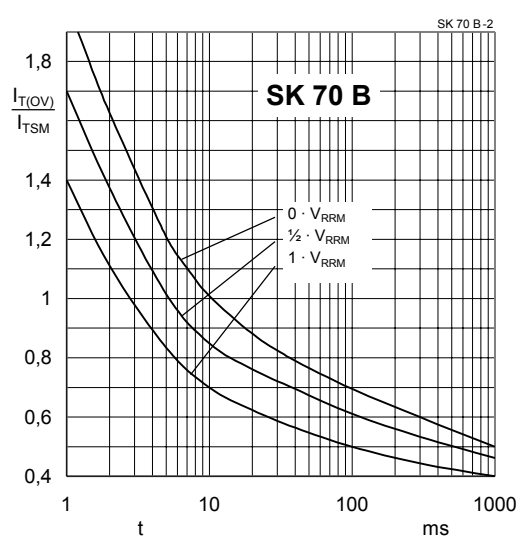
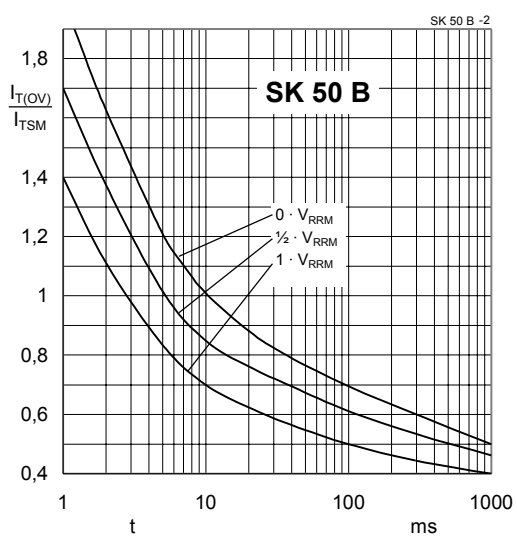


Fig. 2 Surge overload current vs. time

Fig. 2 Surge overload current vs. time

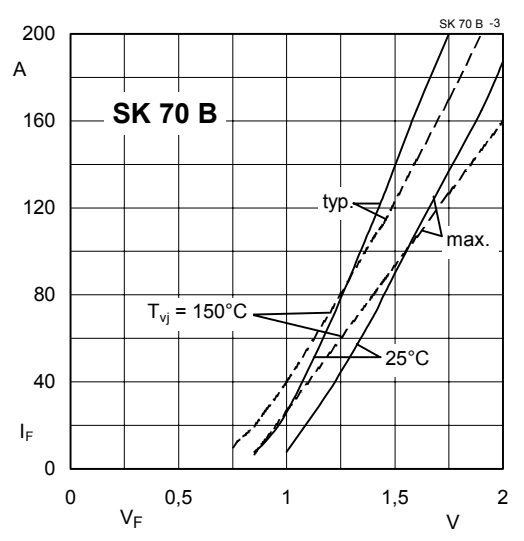
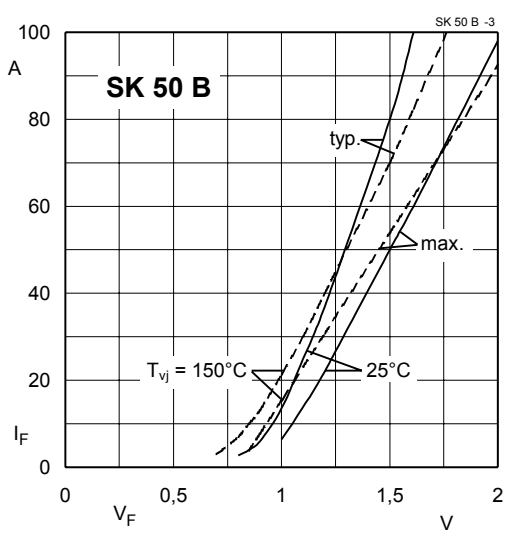


Fig. 3 Forward characteristic of single diode

Fig. 3 Forward characteristic of single diode

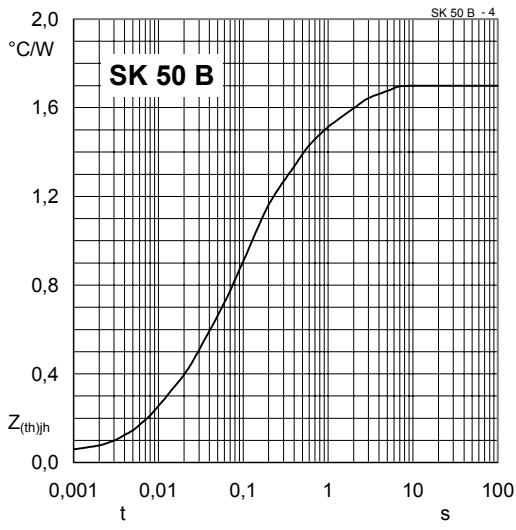


Fig. 4 Thermal transient impedance vs. time

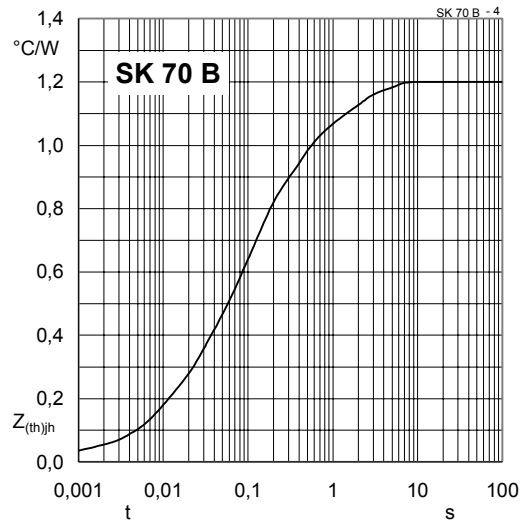


Fig. 4 Thermal transient impedance vs. time

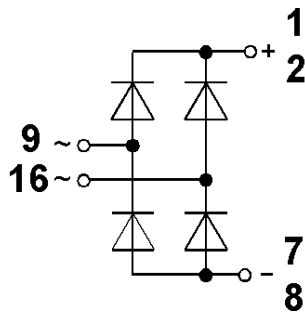
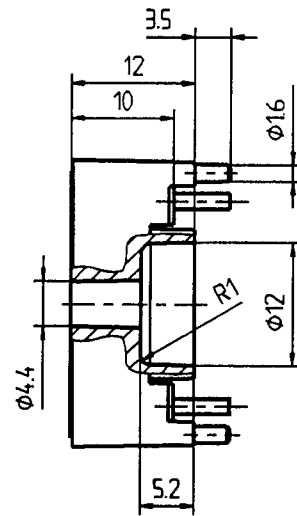
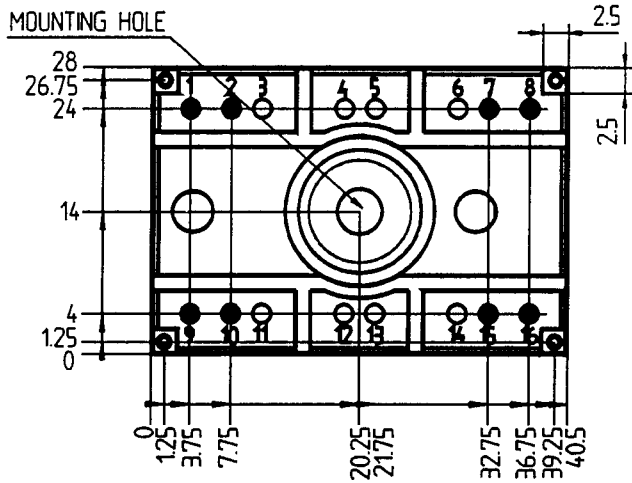
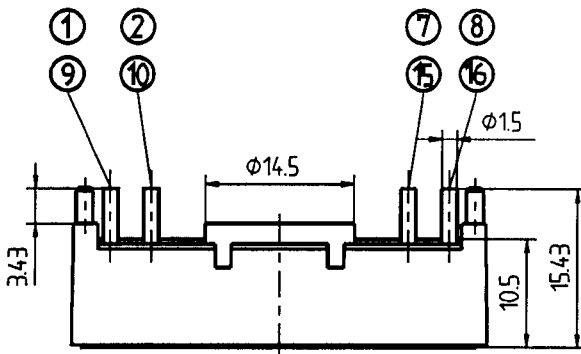
# SK 50 B, SK 70 B

SEMITOP® 2

SK 50 B

SK 70 B

Case T 6



Dimensions in mm

This technical information specifies semiconductor devices but promises no characteristics. No warranty or guarantee expressed or implied is made regarding delivery, performance or suitability.